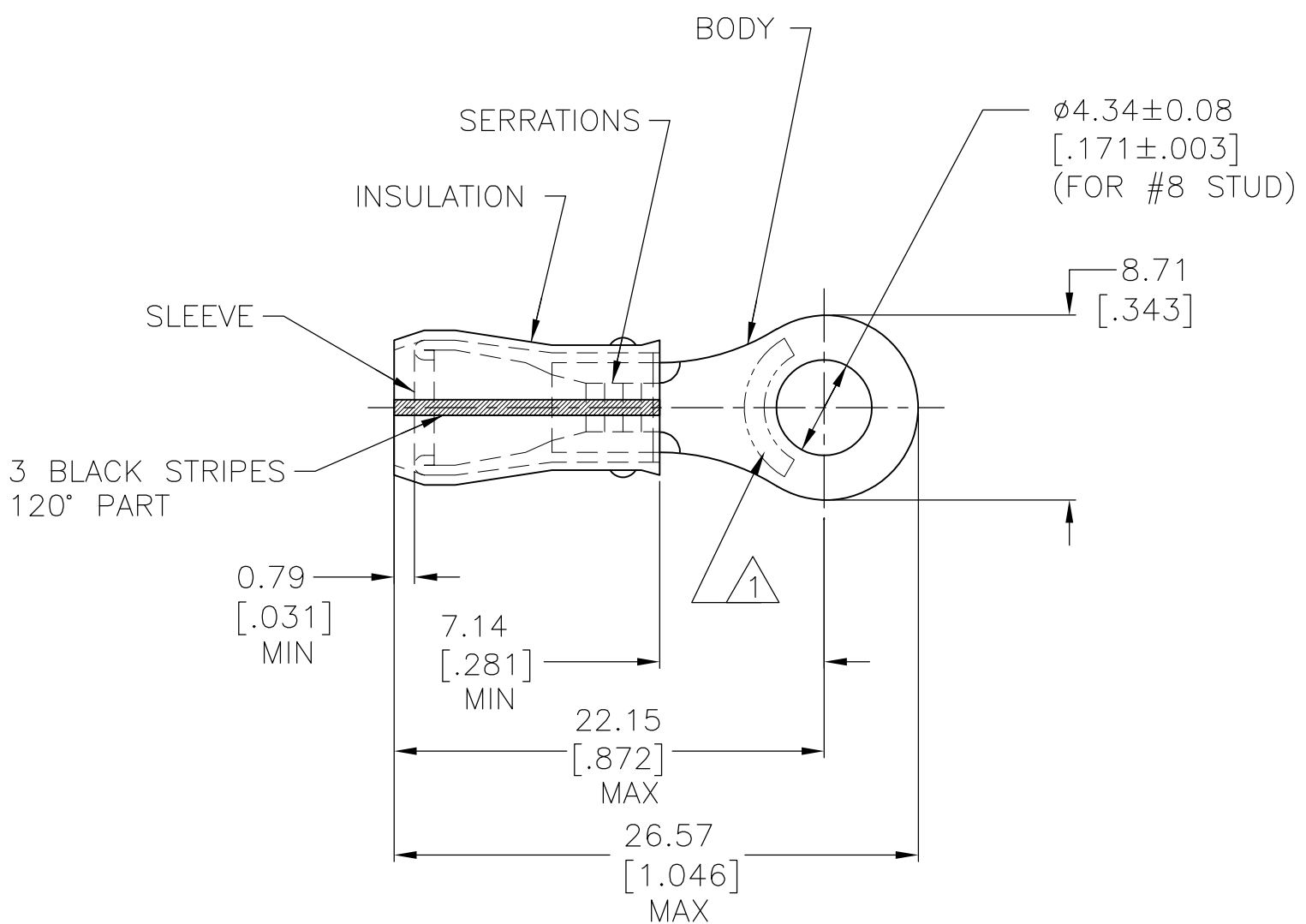


THIS DRAWING IS UNPUBLISHED. RELEASED FOR PUBLICATION
 © COPYRIGHT - By - ALL RIGHTS RESERVED.

LOC	DIST	REVISIONS			
P	LTR	DESCRIPTION	DATE	DWN	APVD
G	14	G	REVISED PER ECO-14-015277	27FEB2015	NK DR



AMP WIRE RANGE	E13288	LR7189 Certified
16-14 AWG SOLID OR STRANDED	16-14 AWG SOLID OR STRANDED	16-14 AWG SOLID OR STRANDED

- 1 STAMP AMP 16-14 HD* APPROX AS SHOWN.
- 2 WIRE INSUL DIA, 3.81-6.35 [.150-.250].
- 3 TONGUE MATERIAL THK, 1.22±0.05[.048±.002].

50	LOOSE PIECE, BOX	8-35106-2
2500	ON TAPE, REEL	2-35106-1
500	LOOSE PIECE	35106
QTY	PACKAGE TYPE	PART NO

AMP INCORPORATED CUSTOMER SERVICE SYSTEM		MAX RECOMMENDED OPERATING TEMPERATURE: 105°C [221°F]	THIS DRAWING IS A CONTROLLED DOCUMENT.		DWN M ELLIS 28SEP95	TE Connectivity			
FOR ADDITIONAL PRODUCT INFORMATION OR COPIES OF DRAWINGS AND TECHNICAL DOCUMENTS	PRODUCT INFORMATION CENTER 1-800-522-6752		VOLTAGE RATING: 300 V MAX	DIMENSIONS: mm [INCHES]	TOLERANCES UNLESS OTHERWISE SPECIFIED:				CHK C PRESNELL 28SEP95
FOR APPLICATION TOOLING INFORMATION	TOOLING ASSISTANCE CENTER 1-800-722-1111	CIRCULAR MIL AREA: 1.04mm² - 2.62mm² [2050-5180]		0 PLC ± -	APVD N BIRCH 28SEP95	PRODUCT SPEC UL 486A			
FOR ORDER ENTRY	1-800-526-5142			1 PLC ± -	2 PLC ± 0.20 [.008]	3 PLC ± -	APPLICATION SPEC -	SIZE A3	CAGE CODE 00779
			MATERIAL BODY, SLV, COPPER PER ASTM B 152 INSUL, NYLON, COLOR, YELLOW	4 PLC ± -	FINISH BODY & SLV, TIN PLATE PER MIL-T-10727	WEIGHT -	SCALE 4:1	SHEET 1 OF 1	REV G